



Solaris
10200



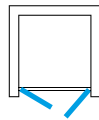
Inquadra il **qr code** per visualizzare la **scheda di installazione e manutenzione**
Scan the qr code to read the installation and maintenance page



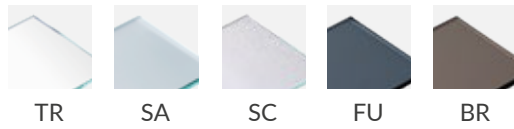
Inquadra il **qr code** per visualizzare la **scheda tecnica**
Scan the qr code to read the technical features page

Solaris 10200

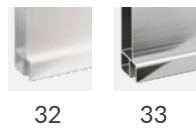
Porta saloon special
Special saloon door



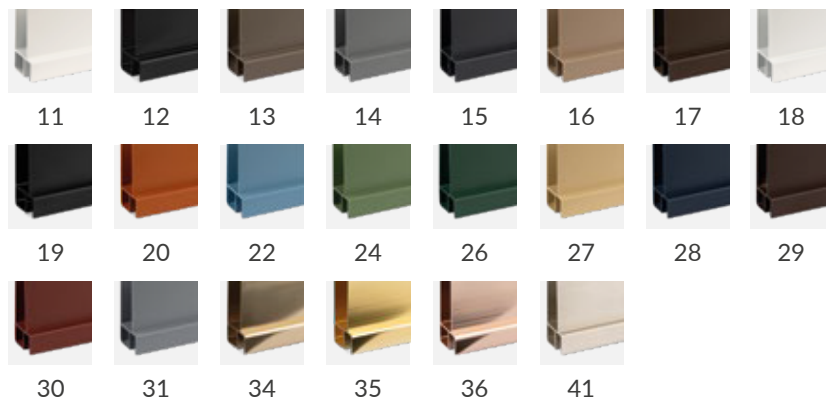
cristallo temprato 6 mm / tempered thick glass 6 mm



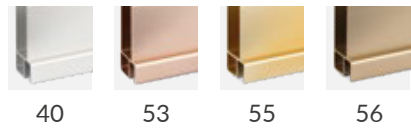
finiture standard / standard finishes



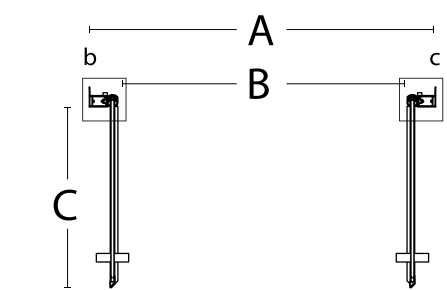
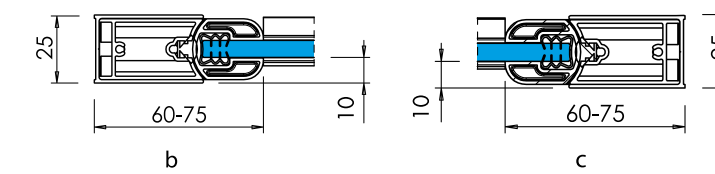
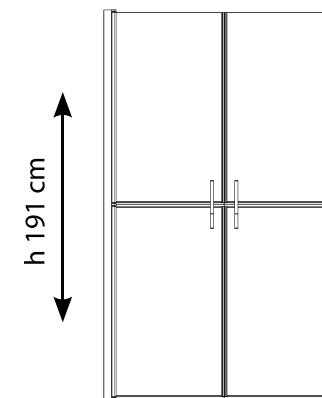
finiture speciali / special finishes



finiture speciali extra / extra special finishes



| articolo article | estensione accoppiata - EST coupled extension - EST | estensione da imballo - A package extension - A | entrata (B) entry (B) | ingombro (C) encumbrance (C) | Vetro / glass | | |
|---------------------|--|--|--------------------------|---------------------------------|---|----|--------------|
| | | | | | TR | SA | SC - FU - BR |
| 10201 | - | 118-121 | 105 | 53 | profili standard: Argento brill / Verniciato bianco standard profiles: polished silver (AB) / white varnished (VB) | | |
| 10202 | - | 138-141 | 125 | 63 | | | |



NOTE E SUPPLEMENTI / Notes and extras

Tempi di produzione 2 settimane / 2 weeks required to manufacture

Finiture speciali: **+25%**
Finiture speciali extra: **+50%**

Dimensioni speciali: **+25%**

Finiture speciali + dimensioni speciali: **+35%**
Finiture speciali extra + dimensioni speciali: **+60%**

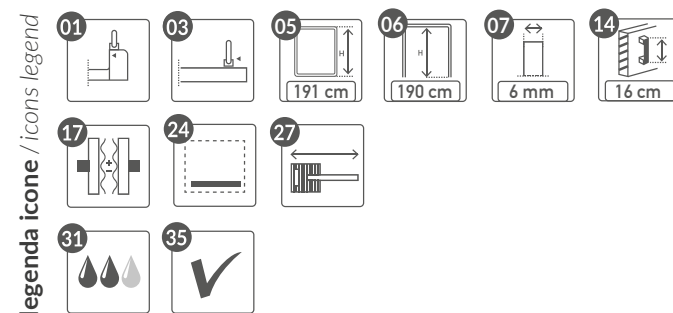
Trattamento anticalcare:

Special finishes: **+25%**
Extra special finishes: **+50%**

Special size: **+25%**

Special finishes + Special size: **+35%**
Extra special finishes + Special size: **+60%**

Anti-limescale treatment:



legenda icone / icons legend